

On-Premises 30-lb Classic Stack Tumble Dryer



Our line of stack tumble dryers* provides double the capacity of Huebsch single-pocket tumble dryers, while using only half the floor space. Plus, you'll still only need one set of gas, electric and exhaust hookups, simplifying installation.

Efficient

A high-performance heater box and axial airflow pattern with sealed cylinder rims delivers the fastest, most efficient drying results in the industry. This efficiency reduces drying times and helps on-premises laundries increase throughput, while decreasing operating costs.

Easy to Operate

Fewer moving parts mean fewer maintenance problems and less wear, while large lint compartments are easy to keep clean, saving additional operator time.

Unmatched Durability

Huebsch tumble dryers are manufactured at our Ripon, WI headquarters. The entire machine receives Huebsch's standard three-year warranty**. In addition, Huebsch has more service representatives in the field than most brands have in their whole organization.



Galaxy™

The Galaxy Control offers the flexibility of 30 programmable cycles combined with the accuracy of our moisture-sensing technology saving time and energy increasing the life of your linens, saving time and energy.



Dual Digital (QT)

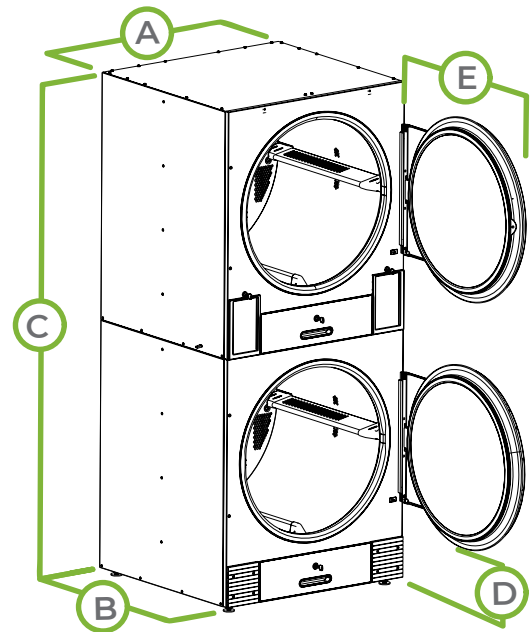
With features including one-touch cycle repeat, automatic extended tumble and a large digital count-down display, it's simple to set your drying time, temperature and cool down with the Dual Digital Control.

* Not all models are available in all markets. In order to highlight key details, machine images do not adhere to a standard scale.

** Parts only, labor not included. See Huebsch Warranty Bond for specifics.

On-Premises 30-lb Classic Stack Tumble Dryer Specifications

| MODEL | | HTT30 | |
|---------------------------------------|-------------------------|---------------------------|-----------------|
| CONTROL OPTION | | Galaxy, Dual Digital (QT) | |
| CAPACITY - lb (kg) | | 2 x 30 (14) | |
| OVERALL WIDTH - in (mm) | | 31.5 (800) | |
| OVERALL DEPTH - in (mm) | | 42.75 (1086) | |
| OVERALL HEIGHT - in (mm) | | 76.25 (1937) | |
| CYLINDER DIAMETER - in (mm) | | 30 (762) | |
| CYLINDER DEPTH - in (mm) | | 26 (660) | |
| CYLINDER VOLUME - cu. ft. (liters) | | 10.6 (300) | |
| DOOR OPENING SIZE - in (mm) | | 22.6 (575) | |
| ENERGY DATA | Gas Models - Per Pocket | 73,000 x 2 Btu/hr | |
| | Electric Models | 21 x 2 kW | |
| GAS CONNECTIONS - in (npt) | | 0.5 | |
| AIR OUTLET - in (mm) | | 1 x 8 (200) | |
| MOTOR - hp | Fan | 0.5 | |
| | Cylinder | 0.3 | |
| AIRFLOW - cfm (liters/sec) | 50 Hz | 340 (160) | |
| | 60 Hz | 400 (189) | |
| ELECTRICAL SPECS - amps | Gas | | |
| | A2 | 100-200-220V/60/1 | 22.0/11.6 total |
| | B2 | 120/208-240V/60/1 | 16.0/8.0 total |
| | F6 | 200-208/240V/60/3 | 6.4/6.4 total |
| | A1 | 100/200V/50/1 | 24.2/15.0 total |
| | J2 | 230-240V/50/1 | 15.0 total |
| | Electric | | |
| | J2 | 230-240V/50/1 | 15 total |
| M1 | 380V/50/3 | 66 total | |
| N1 | 400-415V/50/3 | 62 total | |
| SHIPPING DIMENSIONS APPROX. - in (mm) | Width | 32.5 (830) | |
| | Depth | 47 (1190) | |
| | Height | 81 (2057) | |
| NET WEIGHT - lb (kg) | | 544 (247) | |
| SHIPPING WEIGHT - lb (kg) | | 582 (264) | |
| AGENCY APPROVALS | | CSA | |

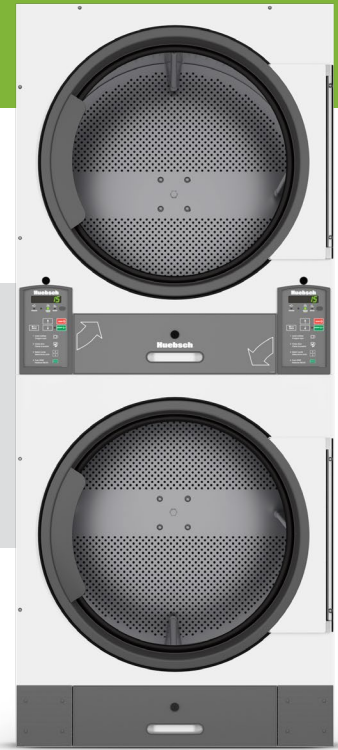


| MODEL | HTT30 |
|-----------------------------------|--------------|
| A. OVERALL WIDTH - in (mm) | 31.5 (800) |
| B. *OVERALL DEPTH - in (mm) | 42.75 (1086) |
| C. OVERALL HEIGHT - in (mm) | 76.25 (1937) |
| D. DOOR BOTTOM TO FLOOR - in (mm) | 10.7 (270) |
| E. DOOR SWING - in (mm) | 28 (710) |

Tumble dryer models are made to suit a variety of electrical service characteristics. See your Huebsch distributor for specifications. For further details on installation, refer to Installation, Operation and Maintenance instructions supplied with the tumble dryer. Amperage ratings available in Installation Manual. USA and Canada models are certified by C.S.A International.

For the most accurate information, the installation guide should be used for all design and construction purposes. Due to continuous product improvements, design and specifications subject to change without notice. The quality management systems of Alliance Laundry Systems are registered to ISO 9001.

On-Premises 45-lb Classic Stack Tumble Dryer



Our line of stack tumble dryers* provides double the capacity of Huebsch single-pocket tumble dryers, while using only half the floor space. Plus, you'll still only need one set of gas, electric and exhaust hookups, simplifying installation.

Efficient

A high-performance heater box and axial airflow pattern with sealed cylinder rims delivers the fastest, most efficient drying results in the industry. This efficiency reduces drying times and helps on-premises laundries increase throughput, while decreasing operating costs.

Easy to Operate

Fewer moving parts mean fewer maintenance problems and less wear, while large lint compartments are easy to keep clean, saving additional operator time.

Unmatched Durability

Huebsch tumble dryers are manufactured at our Ripon, WI headquarters. The entire machine receives Huebsch's standard three-year warranty**. In addition, Huebsch has more service representatives in the field than most brands have in their whole organization.



Galaxy™

The Galaxy control offers the flexibility of 30 programmable cycles combined with the accuracy of our moisture-sensing technology saving time and energy increasing the life of your linens, saving time and energy.



Dual Digital (QT)

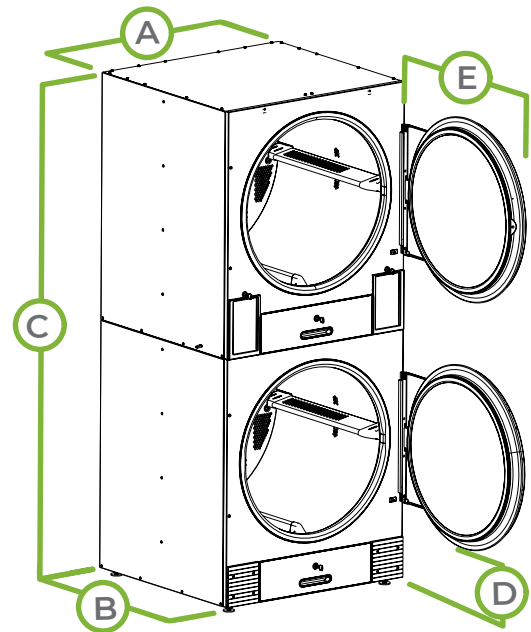
With features including one-touch cycle repeat, automatic extended tumble and a large digital count-down display, it's simple to set your drying time, temperature and cool down with the Dual Digital Control.

* Not all models are available in all markets. In order to highlight key details, machine images do not adhere to a standard scale.

** Parts only, labor not included. See Huebsch Warranty Bond for specifics.

On-Premises **45-lb Classic Stack Tumble Dryer** Specifications

| MODEL | | HTT45 | |
|---|----------------------|---------------------------|---------------|
| CONTROL OPTION | | Galaxy, Dual Digital (QT) | |
| CAPACITY - lb (kg) | | 2 x 45 (20) | |
| OVERALL WIDTH - in (mm) | | 34.5 (875) | |
| OVERALL DEPTH - in (mm) | | 48.6 (1235) | |
| OVERALL HEIGHT - in (mm) | | 81.1 (2059) | |
| CYLINDER DIAMETER - in (mm) | | 33 (838) | |
| CYLINDER DEPTH - in (mm) | | 30 (762) | |
| CYLINDER VOLUME - cu. ft. (liters) | | 14.8 (420) | |
| DOOR OPENING SIZE - in (mm) | | 26.9 (683) | |
| ENERGY DATA Gas Models - Per Pocket | 50 Hz | 87,000 Btu/hr | |
| | 60 Hz | 95,000 Btu/hr | |
| GAS CONNECTIONS - in (npt) | | 0.5 | |
| AIR OUTLET - in (mm) | | 1 x 10 (250) | |
| MOTOR - hp | | 2 x 0.5 | |
| AIRFLOW - cfm (liters/sec) | 50 Hz | 500 (236) | |
| | 60 Hz | 600 (283) | |
| ELECTRICAL SPECS - amps | Gas | | |
| | G2 | 208-240/60/1 | 12.0 total |
| | F6 | 200-208/240V/60/3 | 9.6/9.6 total |
| | J2 | 230-240V/50/1 | 10.8 |
| SHIPPING DIMENSIONS | Width | 35.5 (900) | |
| | Depth | 54 (1370) | |
| APPROX. - in (mm) | Height | 85 (2159) | |
| | NET WEIGHT - lb (kg) | | 673 (305) |
| SHIPPING WEIGHT - lb (kg) | | 718 (326) | |
| AGENCY APPROVALS | | CSA | |



| MODEL | HTT45 | |
|-----------------------------------|-------------|--|
| A. OVERALL WIDTH - in (mm) | 34.5 (875) | |
| B. *OVERALL DEPTH - in (mm) | 48.6 (1235) | |
| C. OVERALL HEIGHT - in (mm) | 81.1 (2059) | |
| D. DOOR BOTTOM TO FLOOR - in (mm) | 9.3 (235) | |
| E. DOOR SWING - in (mm) | 31.9 (810) | |

Tumble dryer models are made to suit a variety of electrical service characteristics. See your Huebsch distributor for specifications. For further details on installation, refer to Installation, Operation and Maintenance instructions supplied with the tumble dryer. Amperage ratings available in Installation Manual. USA and Canada models are certified by C.S.A International.

For the most accurate information, the installation guide should be used for all design and construction purposes. Due to continuous product improvements, design and specifications subject to change without notice. The quality management systems of Alliance Laundry Systems are registered to ISO 9001.